

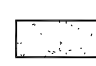
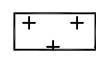
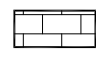
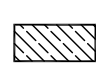
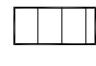



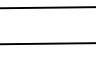


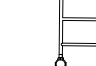


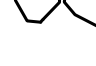
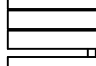
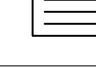



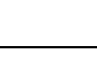
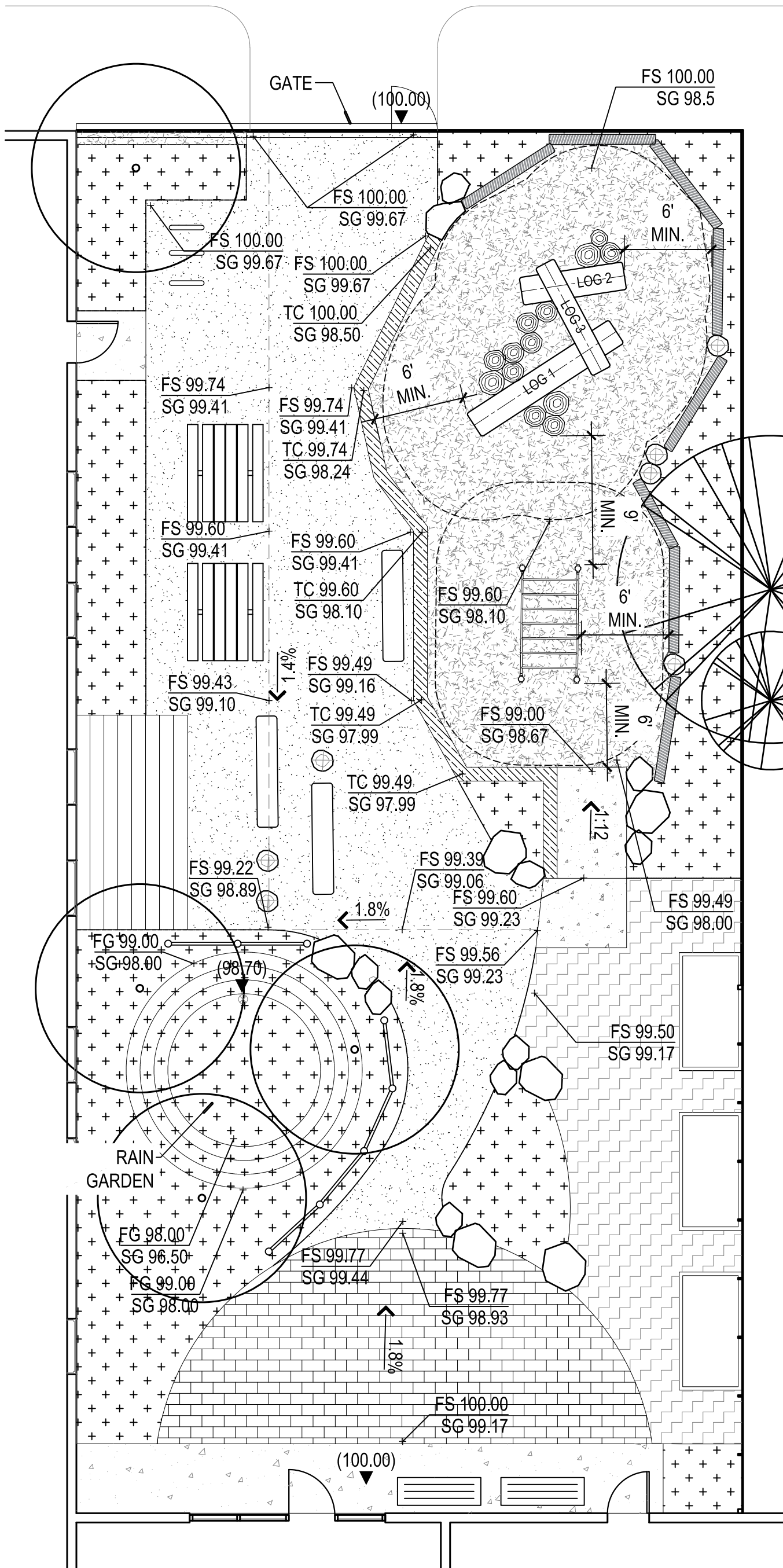


LEGEND

-  ENGINEERED WOOD FIBER (12" deep)
700 SQ. FT. (26 cy)
-  CEDAR CHIPS (4" deep)
355 SQ. FT. (4 cy)
-  CRUSHED ROCK PAVING -
4" thick on existing base
1,245 SQ. FT. (15 cy)
-  PLANTING AREA - 4" import
1,220 SQ. FT. (15 cy)
-  PERMEABLE PAVERS & EDGER
415 SQ. FT.
(6.5 cy drain rock, 2.5 cy of bedding stor)
-  RECYCLED CONCRETE CURB
55 LF (12" X 12")
-  STAGE
120 SQ. FT.
-  EXITING CONCRETE
- TO REMAIN
-  ACCESSIBLE RAMP
QTY. 1
-  TREE
QTY. 4
-  LOG SEATING
QTY. 3
-  LOG EDGER
QTY. 8
-  CLIMBING LOGS
QTY. 3
-  MONKEY BARS
QTY. 1
-  LOG STEPPER
QTY. 12
-  LOG SEAT
QTY. 6
-  BOULDERS
QTY. 16
-  PICNIC TABLE
QTY. 2
-  BENCH
QTY. 2
-  RAISED GARDEN BED
QTY. 3
-  BIKE RACK
QTY. 3
-  EDGER
118 LF
-  FENCE
30 LF



SCALE: 1/8" = 1'-0"



FG: PROPOSED FINISH GRADE ELEVATION
 SG: PROPOSED SUBGRADE ELEVATION
 TC: PROPOSED TOP OF CURB ELEVATION

(100.00) EXISTING ELEVATION